

MAY 2020 CATALOGUE

... a light
breeze

LYX
LUMINAIRES

Since 2013, LYX-Luminaires has been committed to a responsible approach

LYX-luminaires ...

... creates a wide range of solar and low consumption LED lamps.
designed by Claude Robin.

Made in France, the outdoor lightings
are subject to the most demanding constraints.

Pathway lights to illuminate an alley,
spots to brighten a tree, floor lamps for garden lighting.

From ephemeral festive ambiance
to more functional installations,
each lamp contributes to the creation
of a unique luminous universe.

* Through Eco-design

From the pre-study stage, the products are designed with the intention of reducing material consumption as well as the energy required for manufacturing (Limit the number of welds, optimize cutting ...), to maximize the life of the product.

* The use of solar sources

Designed and developed in France by an independent engineering office, solar collectors are regularly optimized according to the latest technological advances . The current components allow increasingly efficient yields.

* The use of low consumption LED sources

LED sources generate the highest efficiency. Miniaturized devices are perfectly integrated into steel envelopes, to provide direct and indirect lighting.

* Local manufacturing in France

The assumed choice of local manufacturing in France is part of our identity. We share with our ISO 9001 & ISO 3834 certified partner workshops, the recognition of our products.

* The durability of our repairable and scalable products

We are able to repair a damaged product or repaint a product faded over time. Our new lighting sources are compatible with our original models.

* The use of returnable dust covers ...

We manufacture dust covers, made of linen from France. Once returned, the dust covers are reused for our shipments.

* ... and of reused packaging

We optimize the reuse of pallets, cartons and multi-material shims from our suppliers with the goal of achieving zero packaging waste.

Low consumption

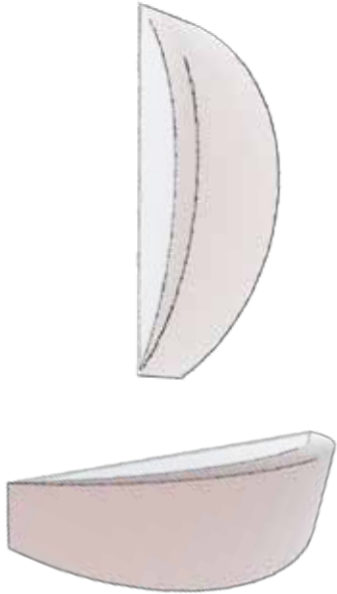
LED

collection



moon shape

Wall lamp Trait de lune



2 possible positions



· use :
highlight a wall, a pillar, ...

- steel structure, polyzinc treatment
- diffusing ACRYL satin
- epoxy paint finishing
- dimensions : 450 x 125 x 140 mm

grey charcoal
(RAL 7021)

Corten rust

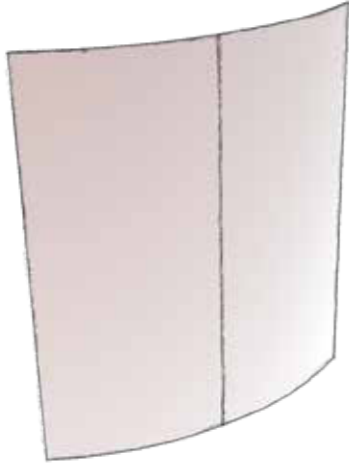
SOURCE :**1000 LUMENS LED PROJECTOR**

- 1000 Lumens
- injected aluminum
- IP65 / IK09
- 230 V
- 10 W LED
- 3000° K / warm white



curved, classic, timeless

Wall lamp AP 010



grey charcoal
(RAL 7021)

Corten rust

- use :
highlight a wall, a pillar, ...
- steel structure
- epoxy paint finishing
- dimensions : 240 x 120 x 280 mm
- spot settings : above / below / both

SOURCE :

1000 LUMENS LED PROJECTOR

- 1000 Lumens
- injected aluminum
- IP65 / IK09
- 230 V
- 10 W LED
- 3000° K / warm white



like a semaphore
Wall lamp AP 011



grey charcoal
(RAL 7021)

Corten rust

- use :
highlight a wall, a pillar, ...
- steel structure / polycarbonate diffuser
- epoxy paint finishing
- dimensions : 140 x 110 x 420 mm

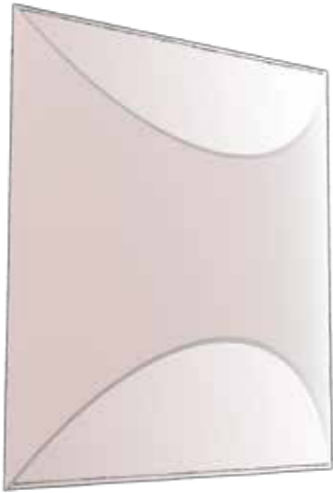
SOURCE :
1000 LUMENS LED PROJECTOR

- 1000 Lumens
- injected aluminum
- IP65 / IK09
- 230 V
- 10 W LED
- 3000° K / warm white



10W LED

symmetrical curves
Wall lamp AP 015



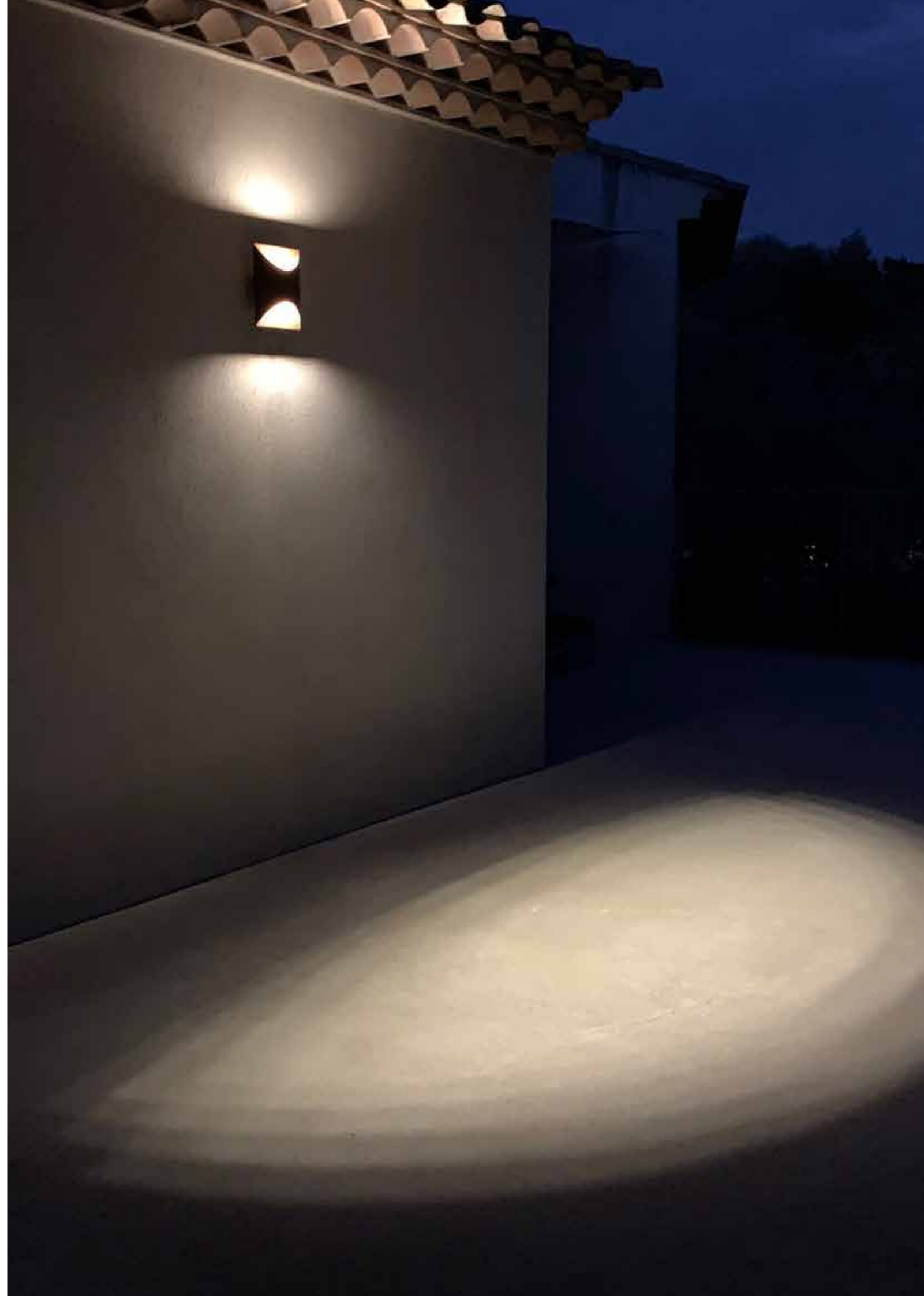
grey charcoal
(RAL 7021)

Corten rust

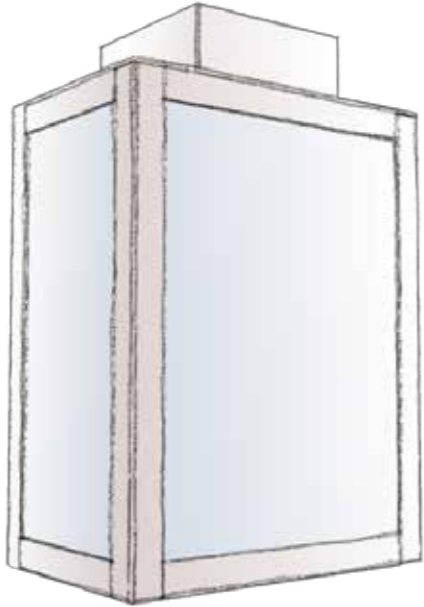
- use :
highlight a wall, a pilar, ...
- steel structure
- epoxy paint finishing
- dimensions : 240 x 100 x 280 mm
- The center of the wall lamp
can be personalized with a luminous marking.

SOURCE :
1000 LUMENS LED PROJECTOR

- 1000 Lumens
- injected aluminum
- IP65 / IK09
- 230 V
- 10 W LED
- 3000° K / warm white



classic lantern
Wall lamp AP 030



· use :
entrance lighting, terrace, balcony, ...

- presence detector
- steel structure 15/10°
- satin Acryl or 3 mm glass on demand
- epoxy paint finishing
- dimensions : 245 x 165 x 380 mm



grey charcoal
(RAL 7021)

Corten rust

SOURCE :

1000 LUMENS LED PROJECTOR

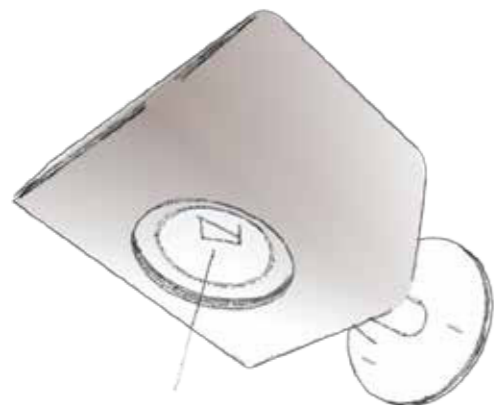
- 1000 Lumens
- injected aluminum
- IP65 / IK09
- 230 V
- 10 W LED
- 3000° K / warm white



10W LED

compact

Wall lamp KOKON



grey charcoal
(RAL 7021)

Corten rust

- use :
highlight a wall, a terrace
- steel structure
- epoxy paint finishing
- dimensions : 185 x 125 x 76 mm

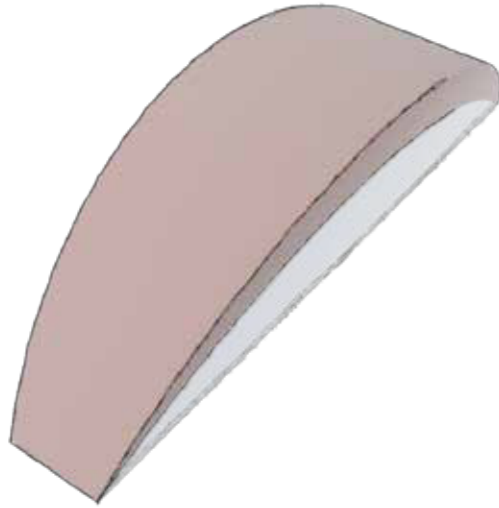
SOURCE : 1000 LUMENS LED PROJECTOR

- 1000 Lumens
- injected aluminum
- IP65 / IK09
- 230 V
- 10 W LED
- 3000° K / warm white



moon shape

Pathway light Trait de lune



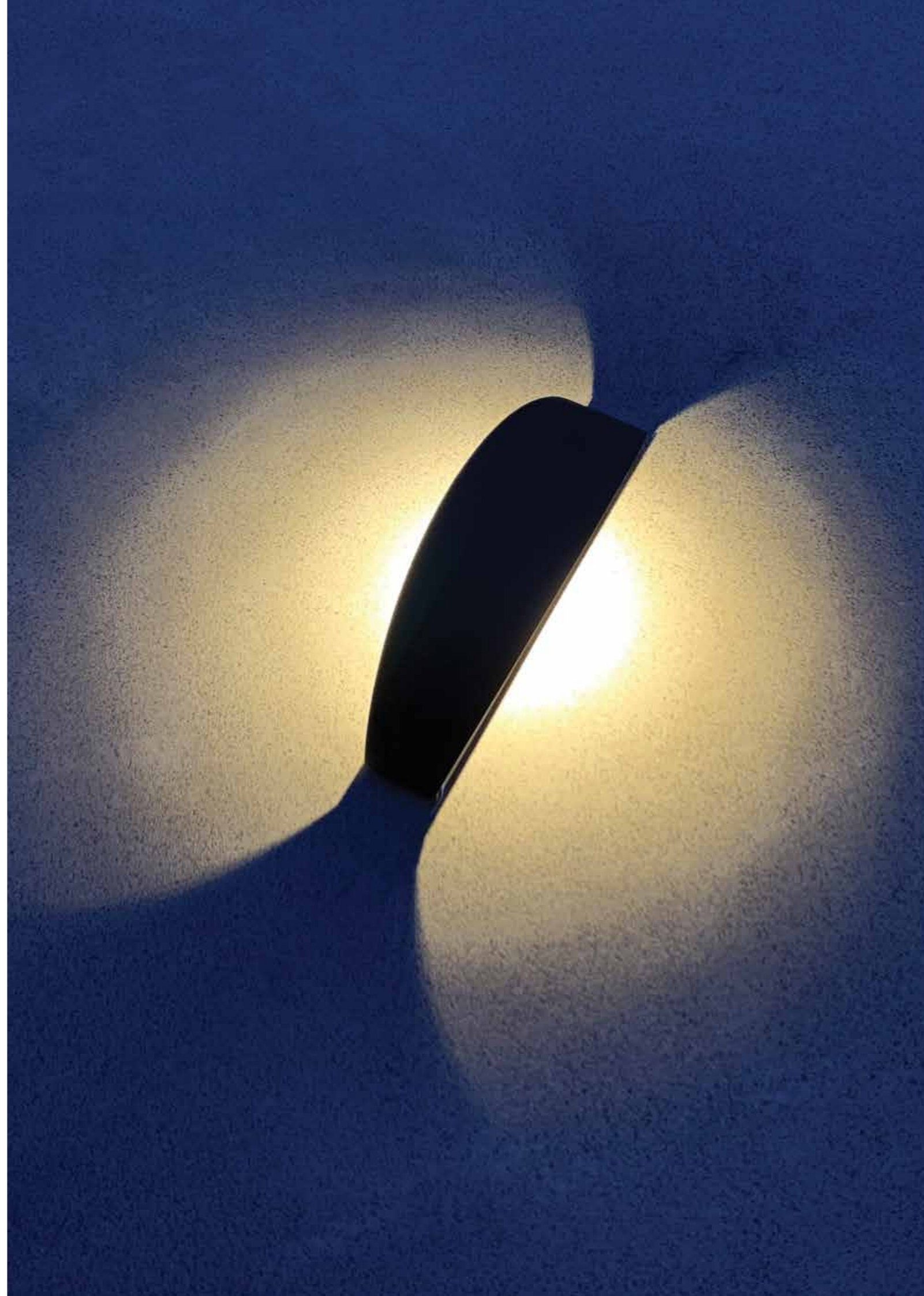
grey charcoal
(RAL 7021)

Corten rust

- use :
markup a path, a lawn, massifs, ...
- steel structure, polyzinc treatment
- diffusing ACRYL satin
- epoxy paint finishing
- dimensions : 450 x 125 x 140 mm

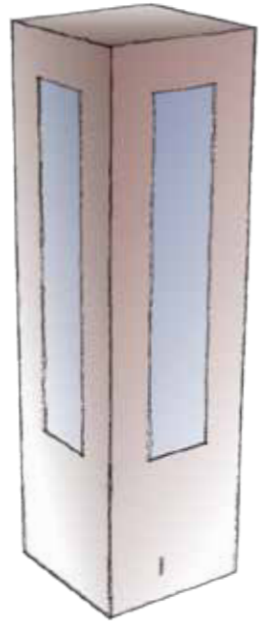
SOURCE :**1000 LUMENS LED PROJECTOR**

- 1000 Lumens
- injected aluminum
- IP65 / IK09
- 230 V
- 10 W LED
- 3000° K / warm white



architectural echo

Pathway light BN 010



· use :
markup a path, a lawn, massifs, ...

- vertical band pattern
- steel structure / polycarbonate diffuser
- epoxy paint finishing
- dimensions : 140 x 140 x 490 mm



grey charcoal
(RAL 7021)

Corten rust

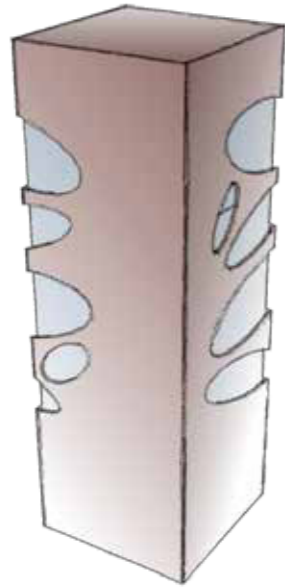
SOURCE :**1000 LUMENS LED PROJECTOR**

- 1000 Lumens
- injected aluminum
- IP65 / IK09
- 230 V
- 10 W LED
- 3000° K / warm white



nested curves

Pathway light BN 011



- use :
markup a path, a lawn, massifs, ...
- pebble pattern
- steel structure / polycarbonate diffuser
- epoxy paint finishing
- dimensions : 140 x 140 x 490 mm

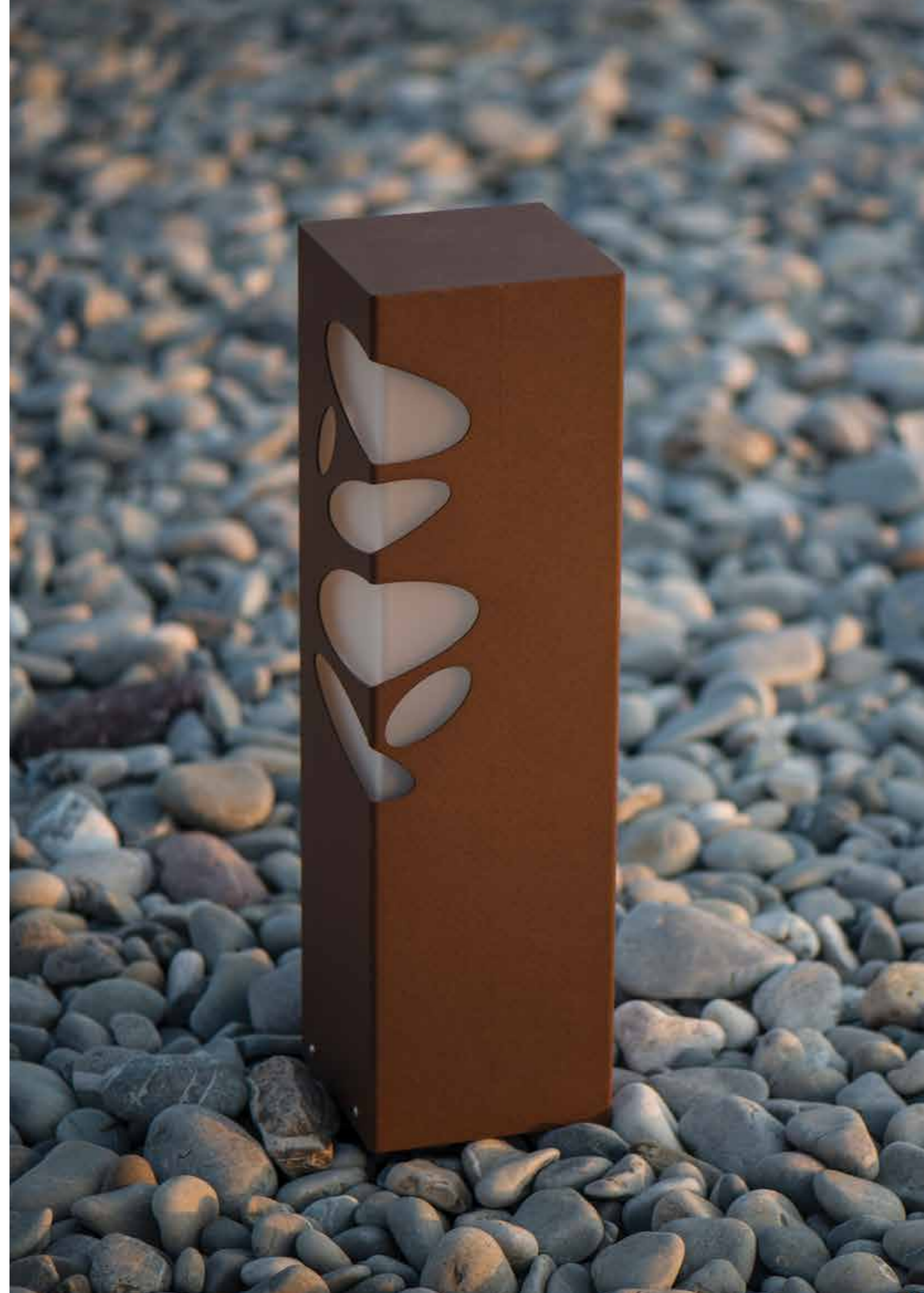


grey charcoal
(RAL 7021)

Corten rust

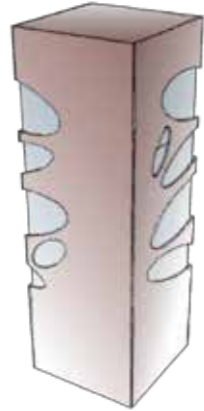
SOURCE :
1000 LUMENS LED PROJECTOR

- 1000 Lumens
- injected aluminum
- IP65 / IK09
- 230 V
- 10 W LED
- 3000° K / warm white



pebble of light

Pathway light BN 011 mini



- use :
markup a path, a lawn, massifs, ...
- pebble pattern
- steel structure / polycarbonate diffuser
- epoxy paint finishing
- dimensions : 110 x 110 x 360 mm



grey charcoal
(RAL 7021)

Corten rust

SOURCE : 1000 LUMENS LED PROJECTOR

- 1000 Lumens
- injected aluminum
- IP65 / IK09
- 230 V
- 10 W LED
- 3000° K / warm white



10W LED

play of pentagone
Pathway light BN 014



- use :
markup a path, a lawn, massifs, ...
- pentagon pattern
- steel structure / polycarbonate diffuser
- epoxy paint finishing
- dimensions : 140 x 140 x 490 mm



grey charcoal
(RAL 7021)

Corten rust

SOURCE :
1000 LUMENS LED PROJECTOR

- 1000 Lumens
- injected aluminum
- IP65 / IK09
- 230 V
- 10 W LED
- 3000° K / warm white



10W LED

verticality

Pathway light BN 080



· use :
markup a path, a car park, ...

- vertical band pattern
- steel structure / polycarbonate diffuser
- epoxy paint finishing
- dimensions : 140 x 140 x 800 mm



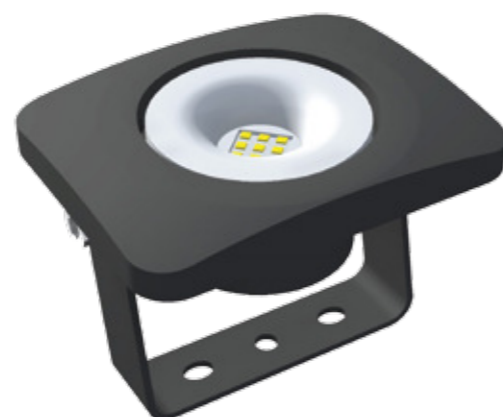
grey charcoal
(RAL 7021)

Corten rust

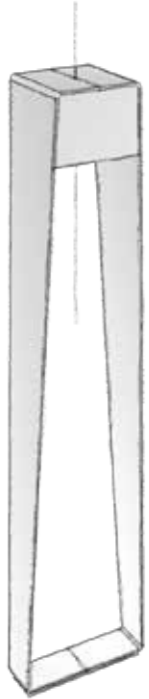
SOURCE :

1000 LUMENS LED PROJECTOR

- 1000 Lumens
- injected aluminum
- IP65 / IK09
- 230 V
- 10 W LED
- 3000° K / warm white



trapeze and light
Pathway light BNL 900



- use :
markup a path, a car park, ...
- steel structure 4 mm
- polyzinc treatment
- epoxy paint finishing
- dimensions : 125 x 185 x 900 mm

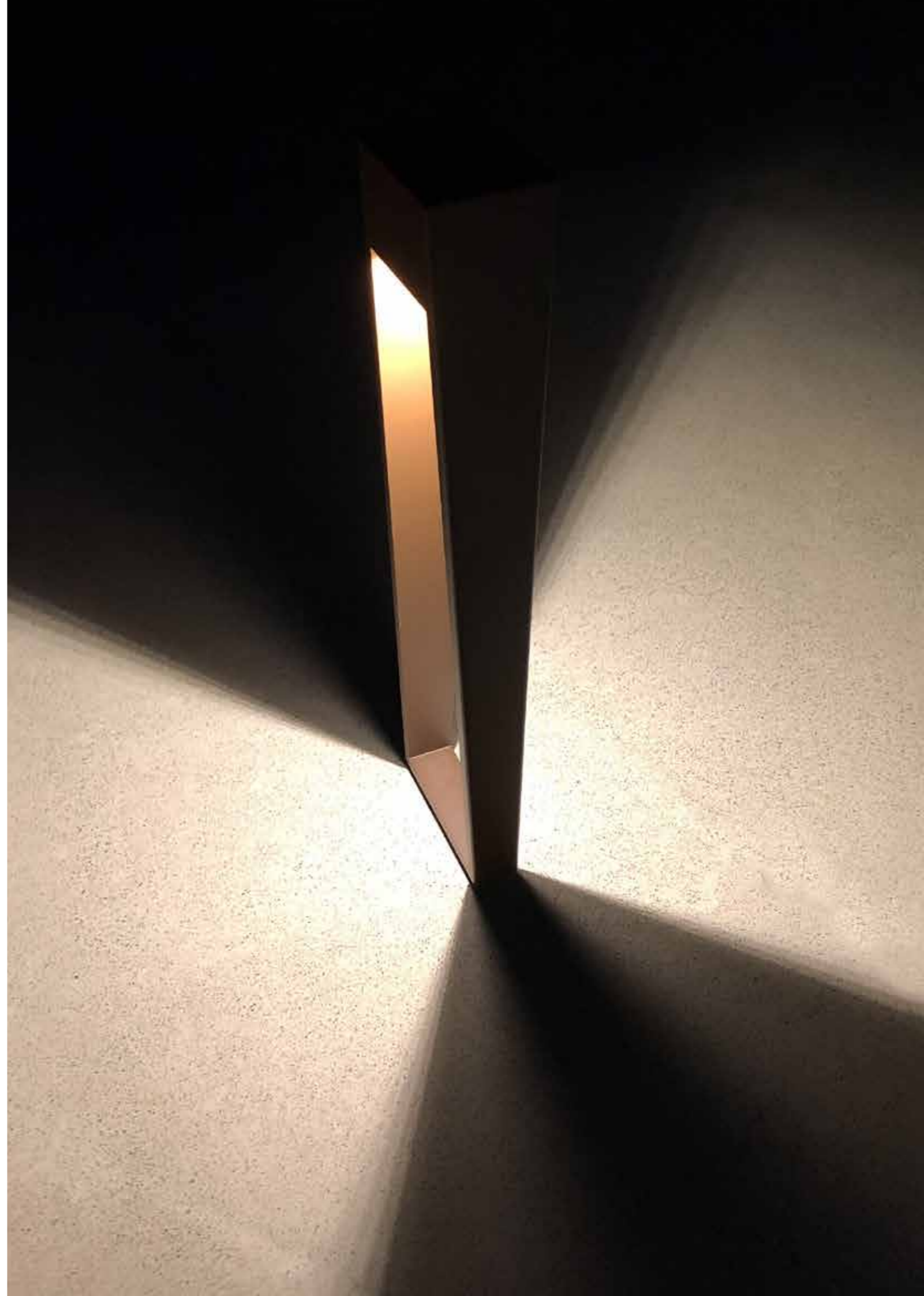


grey charcoal
(RAL 7021)

Corten rust

SOURCE :
1000 LUMENS LED PROJECTOR

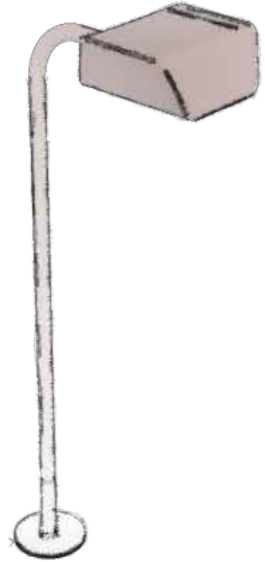
- 1000 Lumens
- injected aluminum
- IP65 / IK09
- 230 V
- 10 W LED
- 3000° K / warm white



10W LED

candelabra effect

Pathway light KOKON



· use :
highlight a path, a garden, ...

- steel structure / polycarbonate diffuser
- epoxy paint finishing
- dimensions : 125 x 250 x 580 mm



grey charcoal
(RAL 7021)

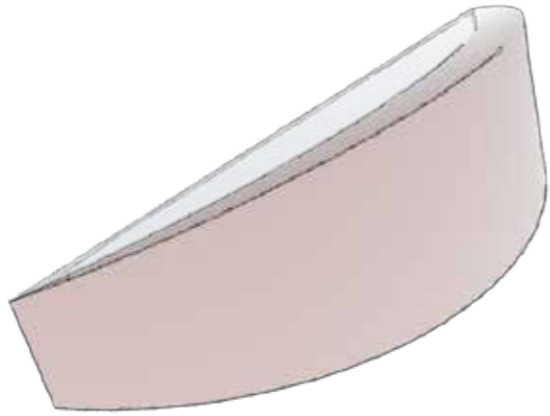
Corten rust

SOURCE :

1000 LUMENS LED PROJECTOR

- 1000 Lumens
- injected aluminum
- IP65 / IK09
- 230 V
- 10 W LED
- 3000° K / warm white



*moon shape***Spotlight Trait de lune**

grey charcoal
(RAL 7021)

Corten rust

· use :
lighting of trees, plants, facades, pillars

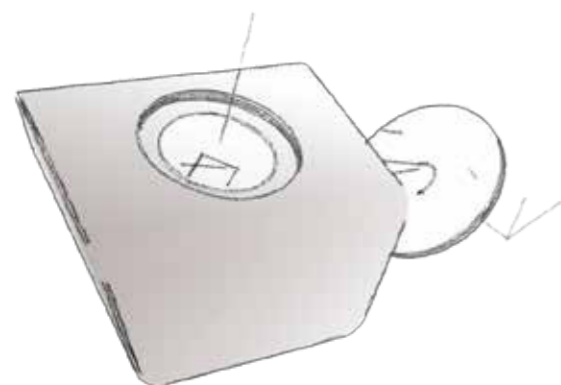
- steel structure, polyzinc treatment
- diffusing ACRYL satin
- epoxy paint finishing
- dimensions : 450 x 125 x 140 mm

SOURCE :**1000 LUMENS LED PROJECTOR**

- 1000 Lumens
- injected aluminum
- IP65 / IK09
- 230 V
- 10 W LED
- 3000° K / warm white



upside / upside down
Spotlight KOKON



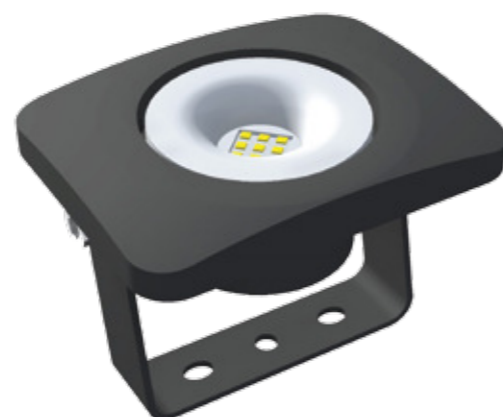
grey charcoal
(RAL 7021)

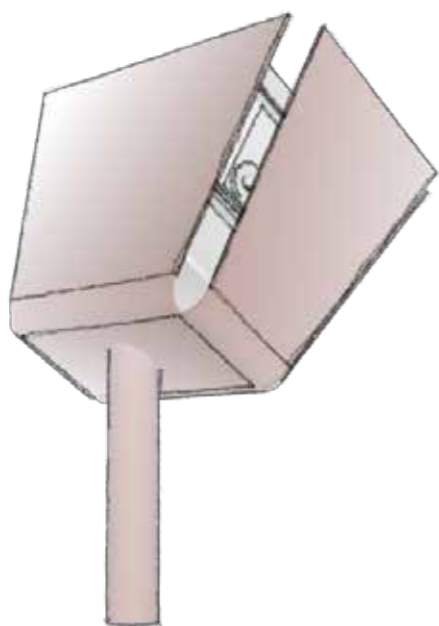
Corten rust

- use :
lighting of trees, plants, facades, pillars
- steel structure, polyzinc treatment
- epoxy paint finishing
- dimensions : 185 x 125 x 76 mm

SOURCE :
1000 LUMENS LED PROJECTOR

- 1000 Lumens
- injected aluminum
- IP65 / IK09
- 230 V
- 10 W LED
- 3000° K / warm white



*cinema ...***Spotlight SP 011**

- use :
highlight a path, a wall, a pillar, ...
- finned spotlight
- steel structure
- epoxy paint finishing
- dimensions : 140 x 106 x 120 mm (off tube)



grey charcoal
(RAL 7021)

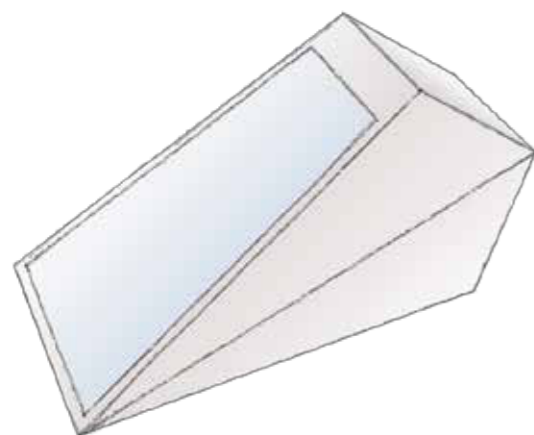
Corten rust

SOURCE :
1000 LUMENS LED PROJECTOR

- 1000 Lumens
- injected aluminum
- IP65 / IK09
- 230 V
- 10 W LED
- 3000° K / warm white



at ground level
Spotlight SP 025



· use :
lighting of trees, plants, facades, pillars

- steel structure acier
- epoxy paint finishing
- dimensions : 205 x 205 x 365 mm



grey charcoal
(RAL 7021)

Corten rust

SOURCE :
1000 LUMENS LED PROJECTOR

- 1000 Lumens
- injected aluminum
- IP65 / IK09
- 230 V
- 10 W LED
- 3000° K / warm white

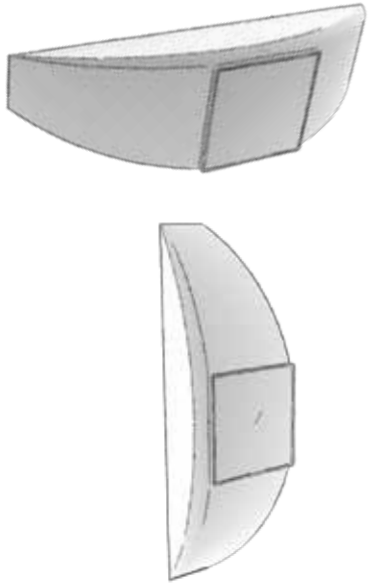


*Solar
collection*



moon shape

Solar wall lamp Trait de lune



2 possible positions



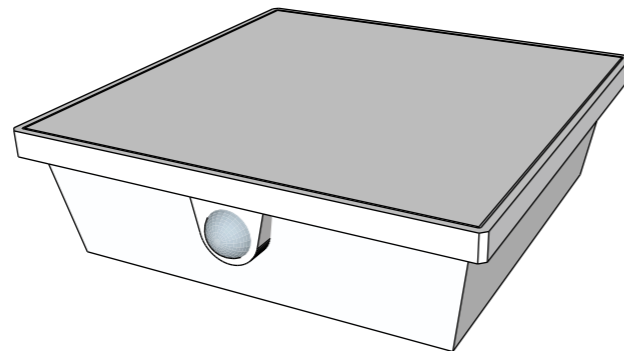
- use :
highlight a wall, an entrance, ...
- steel structure, polyzinc treatment
- diffusing ACRYL satin
- epoxy paint finishing
- dimensions : 450 x 125 x 140 mm

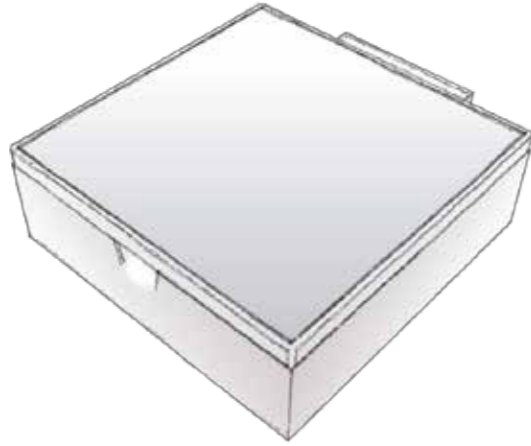
grey charcoal
(RAL 7021)

Corten rust

SOLAR BLOCK**KYBSUN (KYB 010)**

- 500 LUMENS
- 10 LED
- 3000° K. / warm white
- power : 3W
- adjustable intensity
- IP 55 waterproof
- recharge : solar or sector
- autonomy : from 5 H. to 200 H.



*condensed sunlight***Solar wall lamp APS 010**

- use :
highlight a wall, an entrance, ...
- presence detector
- steel structure
- epoxy paint finishing
- dimensions : 125 x 185 x 45 mm

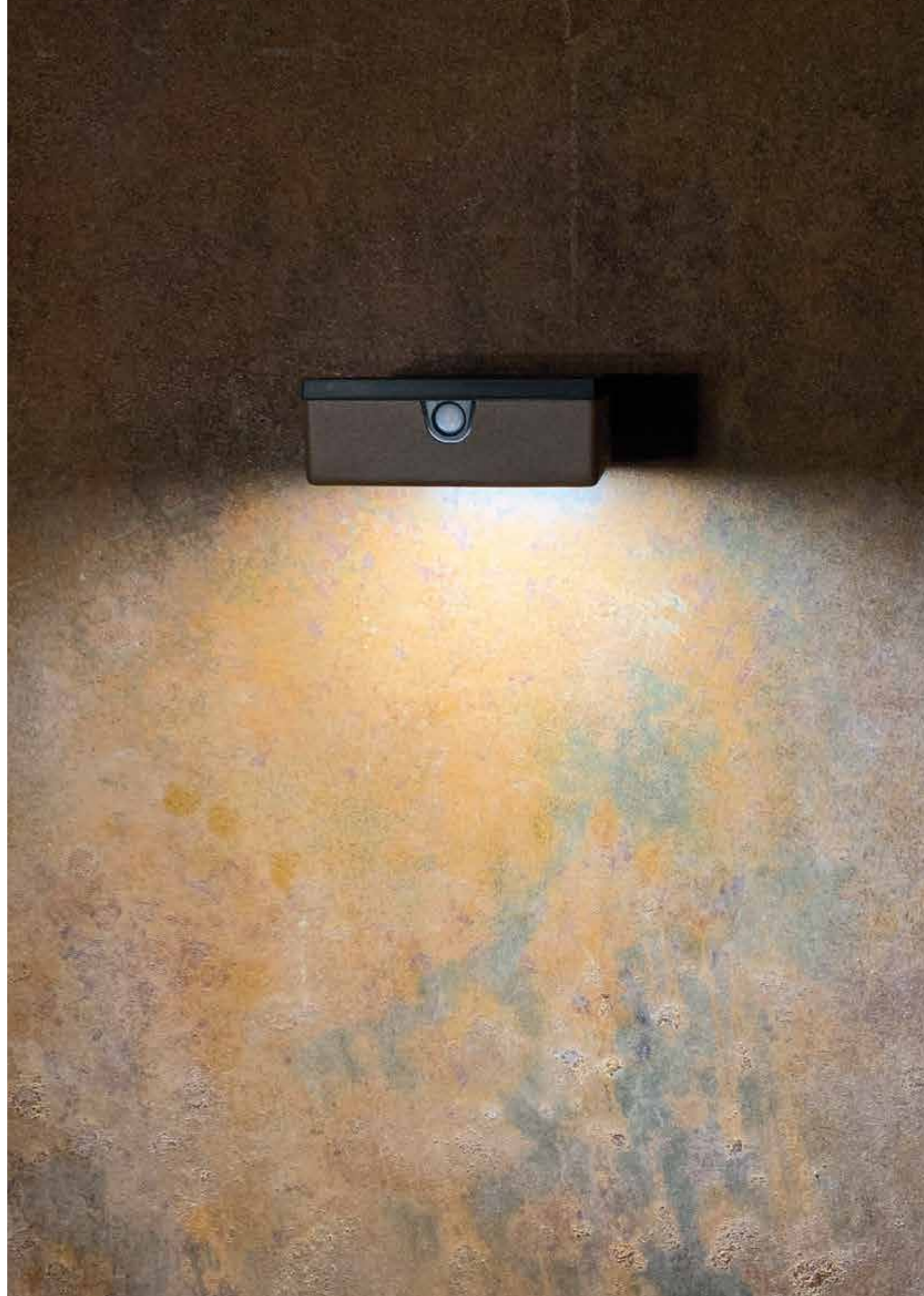
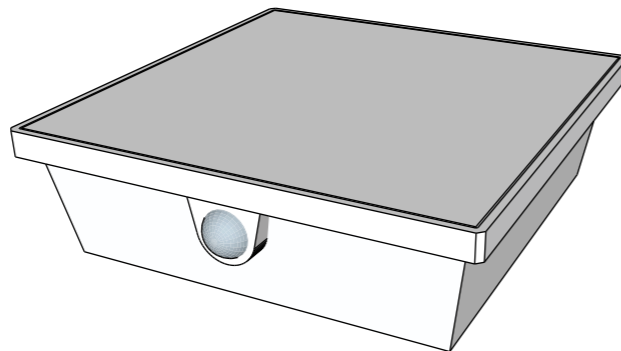


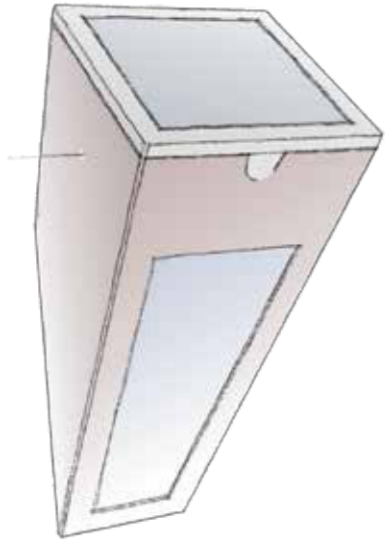
grey charcoal
(RAL 7021)

Corten rust

SOLAR BLOCK**KYBSUN (KYB 010)**

- 500 LUMENS
- 10 LED
- 3000° K. / warm white
- power : 3W
- adjustable intensity
- IP 55 waterproof
- recharge : solar or sector
- autonomy : from 5 H. to 200 H.



*south, southwest***Solar wall lamp APS 020**

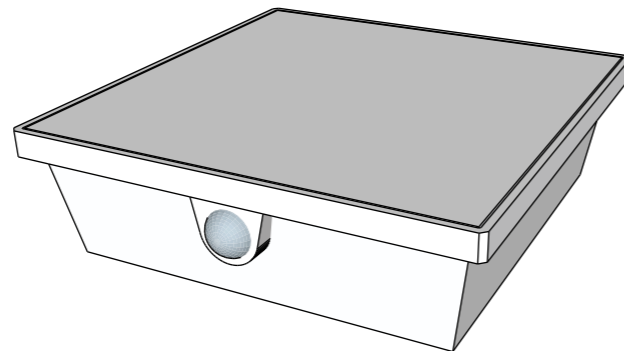
grey charcoal
(RAL 7021)

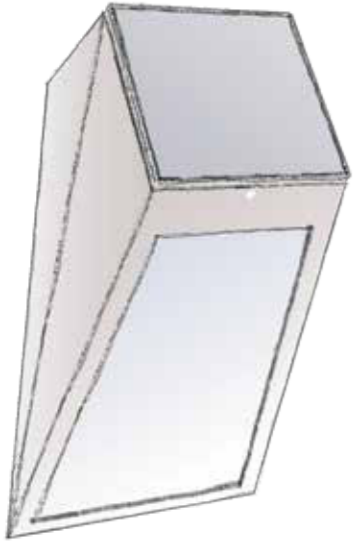
Corten rust

- use :
highlight a wall, a pillar, ... (South oriented)
- presence detector
- steel structure 15/10°
- polycarbonate diffuser
- epoxy paint finishing
- dimensions : 125 x 165 x 315 mm

**SOLAR BLOCK
KYBSUN (KYB 010)**

- 500 LUMENS
- 10 LED
- 3000° K. / warm white
- power : 3W
- adjustable intensity
- IP 55 waterproof
- recharge : solar or sector
- autonomy : from 5 H. to 200 H.



*solar angle***Solar wall lamp APS 025**

- use :
highlight a terrace, a balcony, a gate, ...
(South oriented)

- presence detector
- steel structure 15/10°
- polycarbonate diffuser
- epoxy paint finishing
- dimensions : 205 x 205 x 365 mm

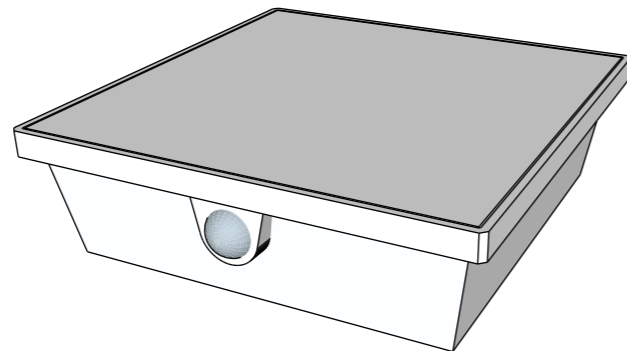


grey charcoal
(RAL 7021)

Corten rust

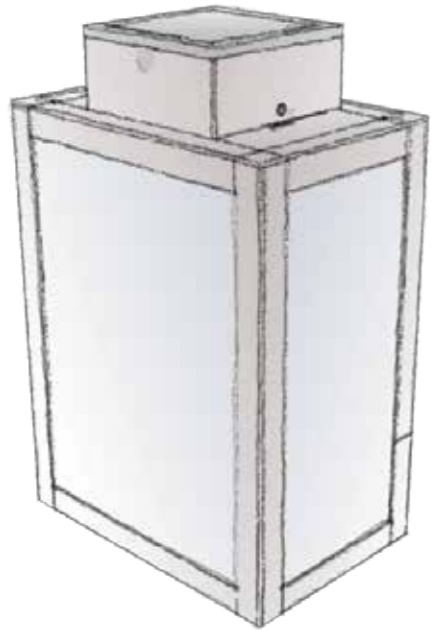
SOLAR BLOCK**KYBSUN (KYB 010)**

- 500 LUMENS
- 10 LED
- 3000° K. / warm white
- power : 3W
- adjustable intensity
- IP 55 waterproof
- recharge : solar or sector
- autonomy : from 5 H. to 200 H.



lantern yet solar

Solar wall lamp APS 030



· use :
highlight a wall, a pillar, ... (South oriented)

- presence detector
- steel structure 15/10°
- satin Acryl or 3 mm glass on demand
- epoxy paint finishing
- dimensions : 245 x 165 x 380 mm



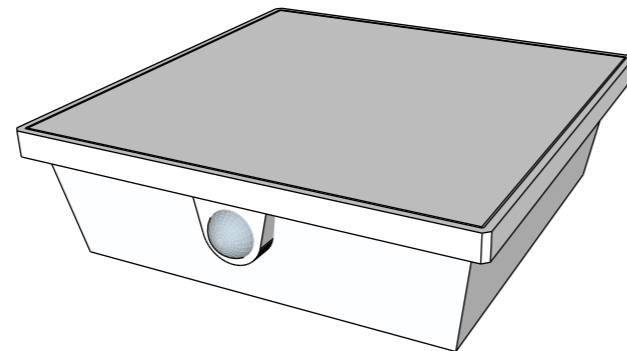
grey charcoal
(RAL 7021)

Corten rust

SOLAR BLOCK

KYBSUN (KYB 010)

- 500 LUMENS
- 10 LED
- 3000° K. / warm white
- power : 3W
- adjustable intensity
- IP 55 waterproof
- recharge : solar or sector
- autonomy : from 5 H. to 200 H.



moon shape

Solar pathway light Trait de lune



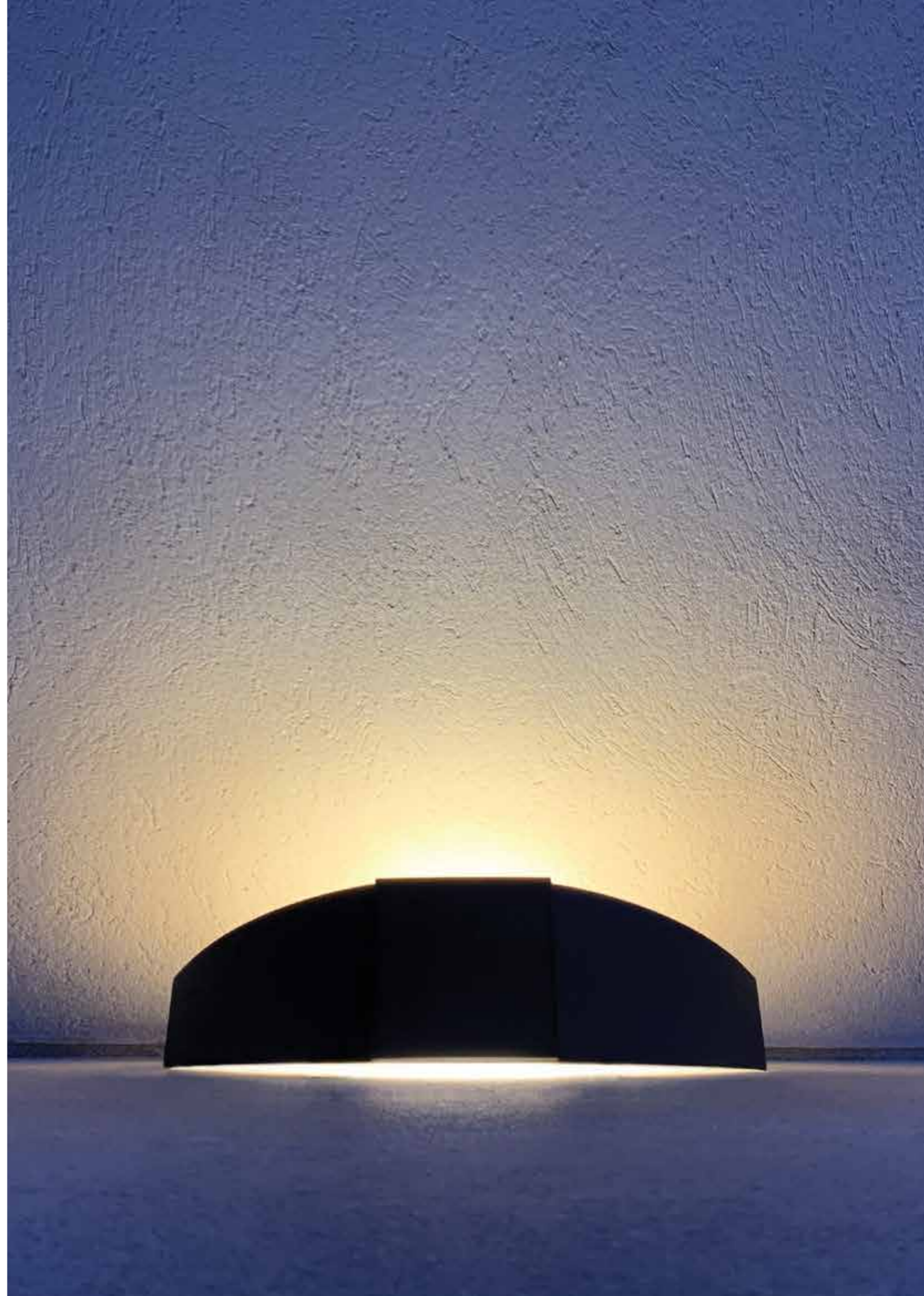
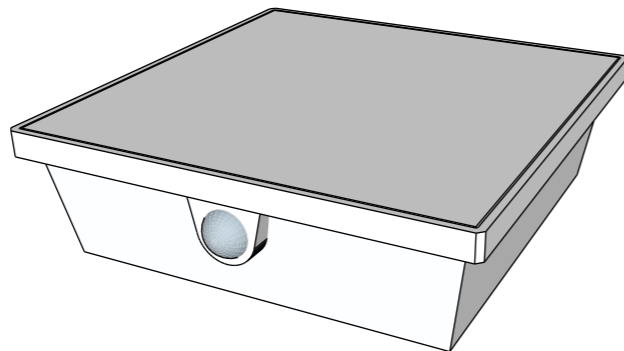
grey charcoal
(RAL 7021)

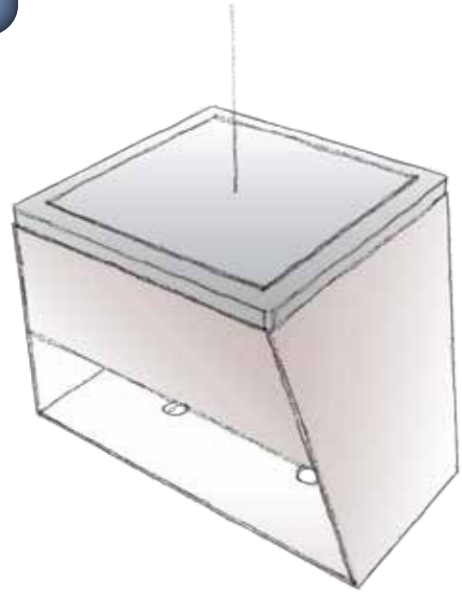
Corten rust

- use :
mark up paths, terraces, ...
can also be used as a spotlight for tree lighting,
plants, facades, pillars, ...
- steel structure, polyzinc treatment
- diffusing ACRYL satin
- epoxy paint finishing
- dimensions : 450 x 125 x 140 mm

**SOLAR BLOCK
KYBSUN (KYB 010)**

- 500 LUMENS
- 10 LED
- 3000° K. / warm white
- power : 3W
- adjustable intensity
- IP 55 waterproof
- recharge : solar or sector
- autonomy : from 5 H. to 200 H.



*ground effect***Solar pathway light BTS 125**

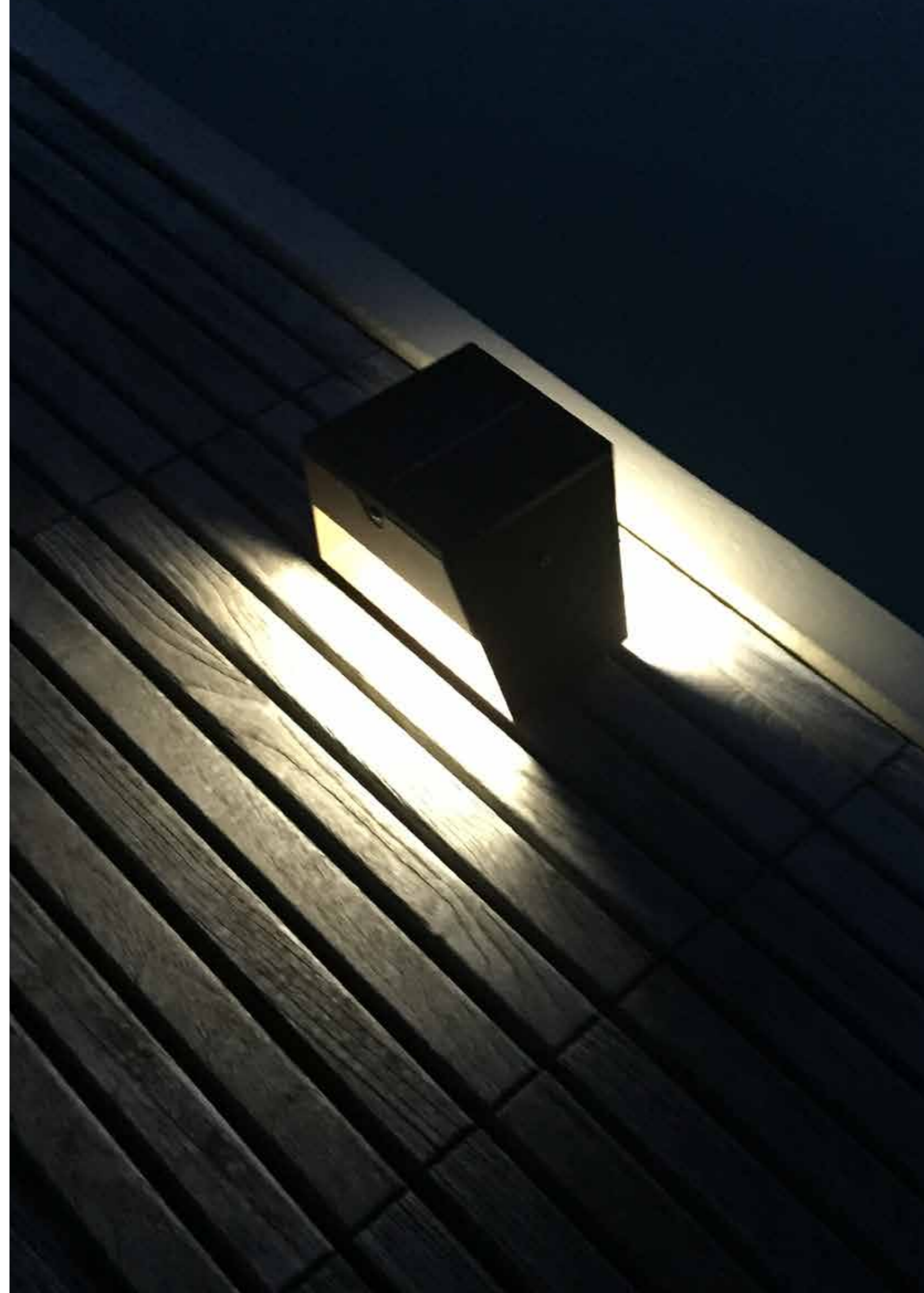
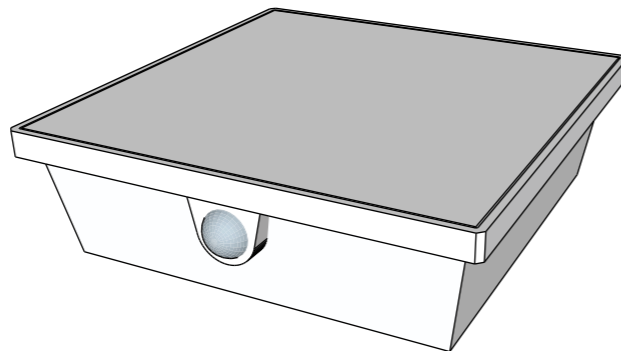
grey charcoal
(RAL 7021)

Corten rust

- use :
markup a path, a car park, ...
- presence detector
- steel structure 15/10°
- epoxy paint finishing
- dimensions : 125 x 185 x 125 mm

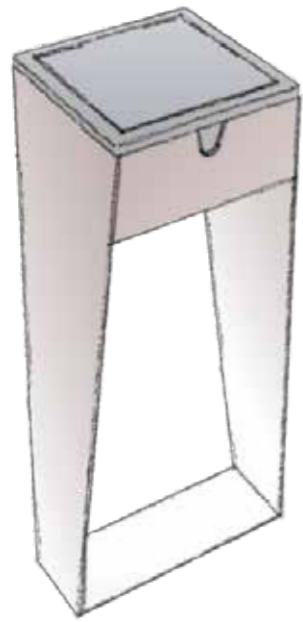
**SOLAR BLOCK
KYBSUN (KYB 010)**

- 500 LUMENS
- 10 LED
- 3000° K. / warm white
- power : 3W
- adjustable intensity
- IP 55 waterproof
- recharge : solar or sector
- autonomy : from 5 H. to 200 H.



creepage

Solar pathway light BTS 400



- use :
markup a path, a car park, ...
- presence detector
- steel structure 4 mm
- epoxy paint finishing
- dimensions : 125 x 185 x 400 mm

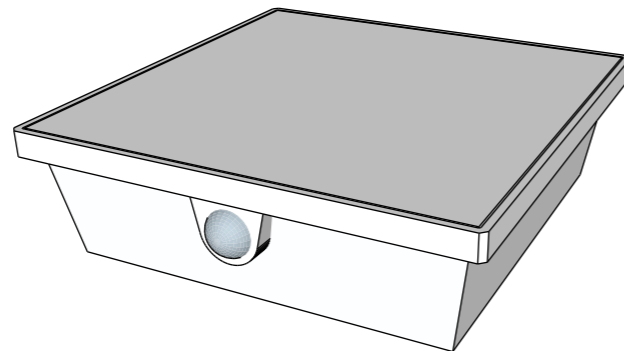


grey charcoal
(RAL 7021)

Corten rust

SOLAR BLOCK**KYBSUN (KYB 010)**

- 500 LUMENS
- 10 LED
- 3000° K. / warm white
- power : 3W
- adjustable intensity
- IP 55 waterproof
- recharge : solar or sector
- autonomy : from 5 H. to 200 H.



perspective

Solar pathway light BTS 900



- use :
markup a path, a car park, ...
- presence detector
- steel structure 4 mm
- epoxy paint finishing
- dimensions : 125 x 185 x 900 mm

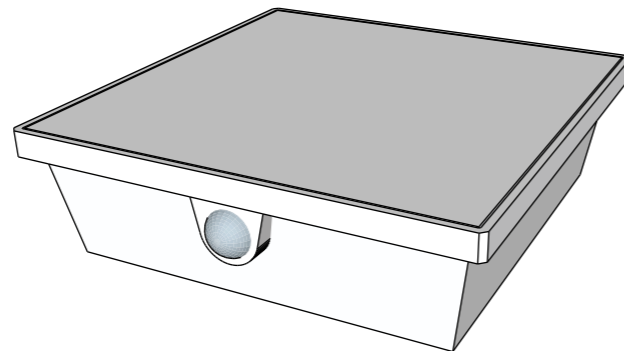


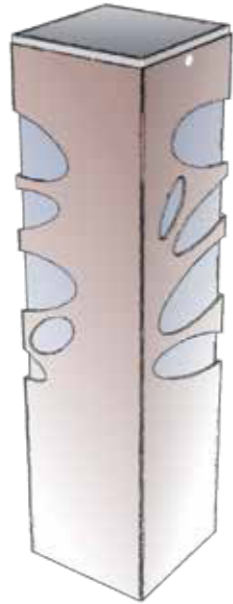
grey charcoal
(RAL 7021)

Corten rust

SOLAR BLOCK**KYBSUN (KYB 010)**

- 500 LUMENS
- 10 LED
- 3000° K. / warm white
- power : 3W
- adjustable intensity
- IP 55 waterproof
- recharge : solar or sector
- autonomy : from 5 H. to 200 H.



*solar pebble***Solar pathway light BNS 011**

- use :
markup a path, a car park, a terrace, ...
- presence detector
- Acryl satin diffuser 2 mm
- epoxy paint finishing
- dimensions : 125 x 125 x 400 mm

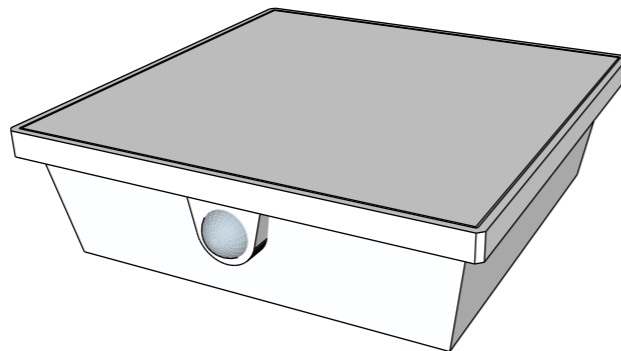


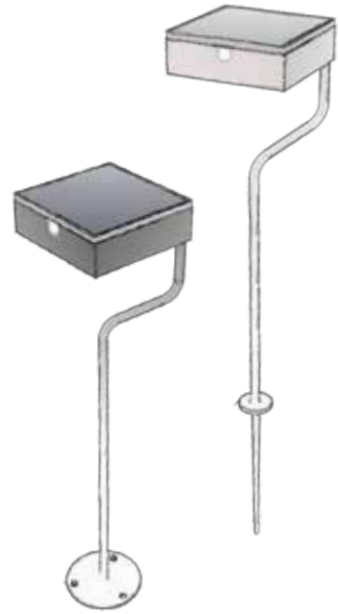
grey charcoal
(RAL 7021)

Corten rust

SOLAR BLOCK**KYBSUN (KYB 010)**

- 500 LUMENS
- 10 LED
- 3000° K. / warm white
- power : 3W
- adjustable intensity
- IP 55 waterproof
- recharge : solar or sector
- autonomy : from 5 H. to 200 H.



*solar accent***Solar pathway light TEE**

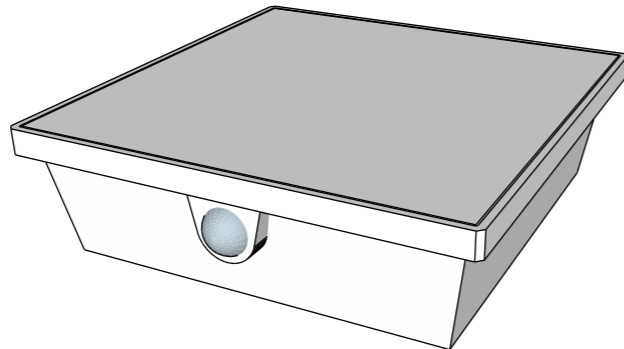
grey charcoal
(RAL 7021)

Corten rust

- use :
markup a path, a garden, ...
- presence detector
- steel structure
- epoxy paint finishing
- dimensions : 125 x 125 x 500 mm

**SOLAR BLOCK
KYBSUN (KYB 010)**

- 500 LUMENS
- 10 LED
- 3000° K. / warm white
- power : 3W
- adjustable intensity
- IP 55 waterproof
- recharge : solar or sector
- autonomy : from 5 H. to 200 H.



SOLAR

sky is the limit

Solar pathway light TEE XL



- use :
markup a path, a garden, ...
- presence detector
- steel structure
- epoxy paint finishing
- dimensions : 125 x 125 x 1950 mm

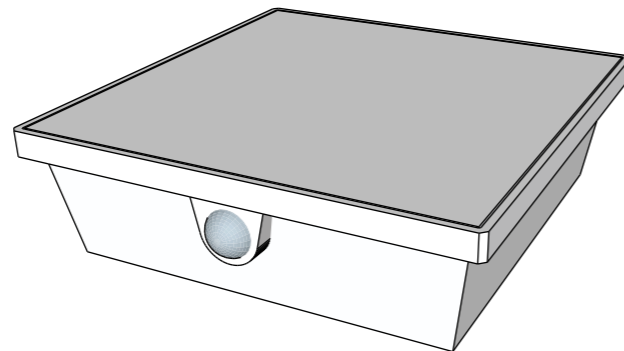


grey charcoal
(RAL 7021)

Corten rust

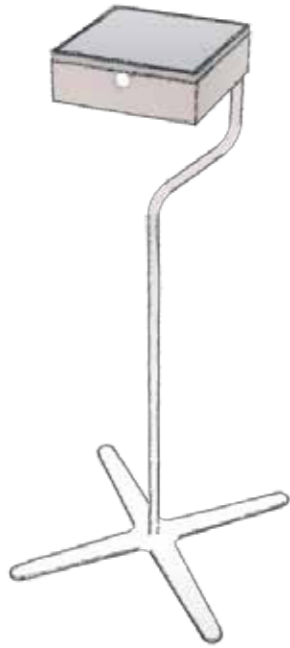
SOLAR BLOCK KYBSUN (KYB 010)

- 500 LUMENS
- 10 LED
- 3000° K. / warm white
- power : 3W
- adjustable intensity
- IP 55 waterproof
- recharge : solar or sector
- autonomy : from 5 H. to 200 H.



Tee for two

Solar candlestick TEE



- use :
table lighting
- presence detector
- steel structure
- epoxy paint finishing
- dimensions : 300 x 300 x 500 mm

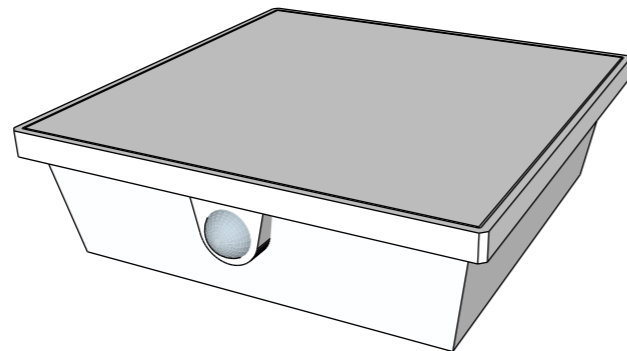


grey charcoal
(RAL 7021)

Corten rust

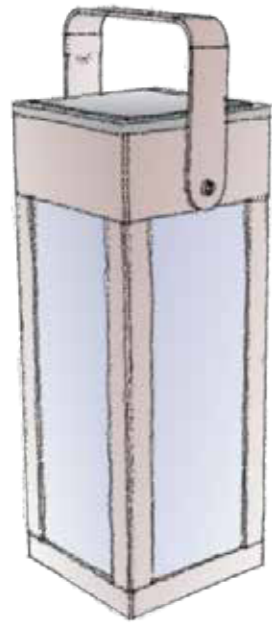
SOLAR BLOCK KYBSUN (KYB 010)

- 500 LUMENS
- 10 LED
- 3000° K. / warm white
- power : 3W
- adjustable intensity
- IP 55 waterproof
- recharge : solar or sector
- autonomy : from 5 H. to 200 H.



lantern or pathway light

Solar lantern LAS 021



· use :
lantern (with handle) / markup a path (without handle)

- presence detector
- steel structure 15/10° / polycarbonate diffuser
- epoxy paint finishing
- dimensions : 125 x 125 x 350 mm



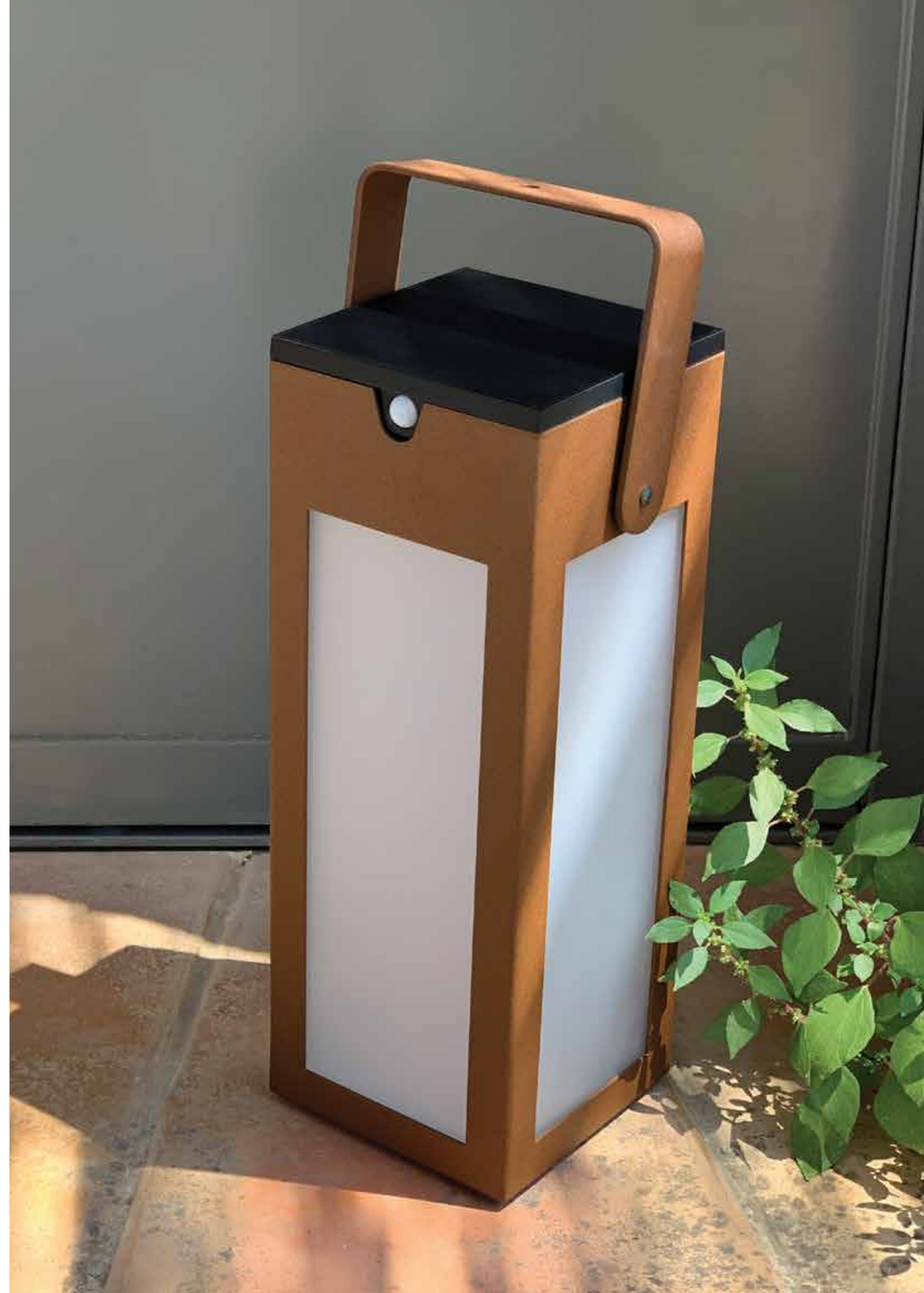
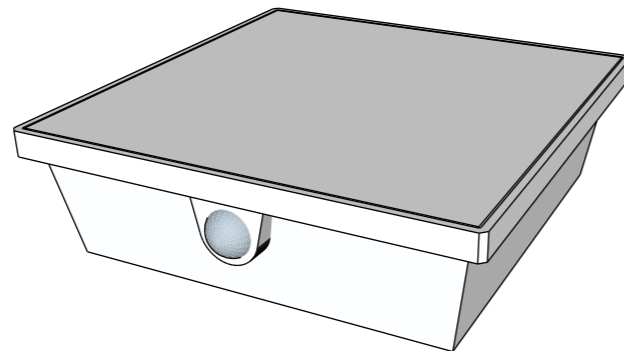
grey charcoal
(RAL 7021)

Corten rust

SOLAR BLOCK

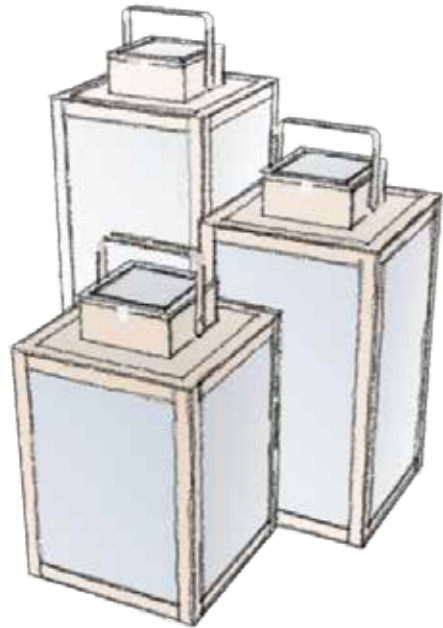
KYBSUN (KYB 010)

- 500 LUMENS
- 10 LED
- 3000° K. / warm white
- power : 3W
- adjustable intensity
- IP 55 waterproof
- recharge : solar or sector
- autonomy : from 5 H. to 200 H.



luminaires play

Solar lantern LAS 400/500/600



· use :
lanterns, terraces decoration, patios, lawns, ...

- presence detector
- epoxy paint finishing
- steel structure 15/10° mm
- satin Acryl or 3 mm glass on demand
- dimensions : - LAS 400 // 245 x 245 x 395 mm
- LAS 500 // 245 x 245 x 495 mm
- LAS 600 // 245 x 245 x 595 mm

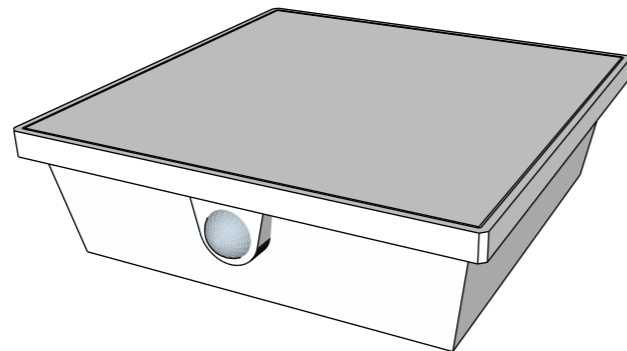


grey charcoal
(RAL 7021)

Corten rust

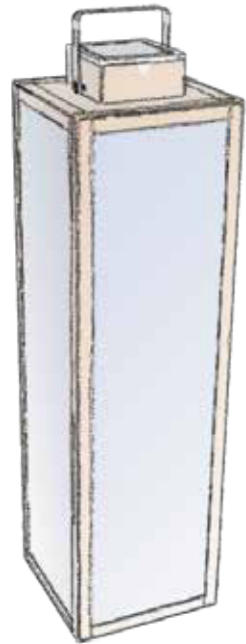
SOLAR BLOCK**KYBSUN (KYB 010)**

- 500 LUMENS
- 10 LED
- 3000° K. / warm white
- power : 3W
- adjustable intensity
- IP 55 waterproof
- recharge : solar or sector
- autonomy : from 5 H. to 200 H.



XL spirit

Solar lantern LAS 900



· use :
lanterns, terraces decoration, patios, lawns, ...

- presence detector
- epoxy paint finishing
- steel structure 15/10° mm
- Acryl satin or glass on demand
- dimensions : 245 x 245 x 895 mm



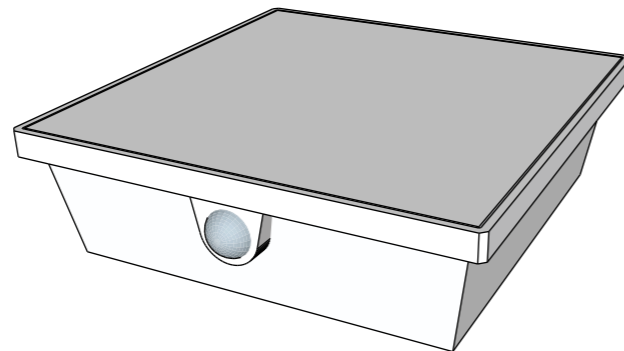
grey charcoal
(RAL 7021)

Corten rust

SOLAR BLOCK

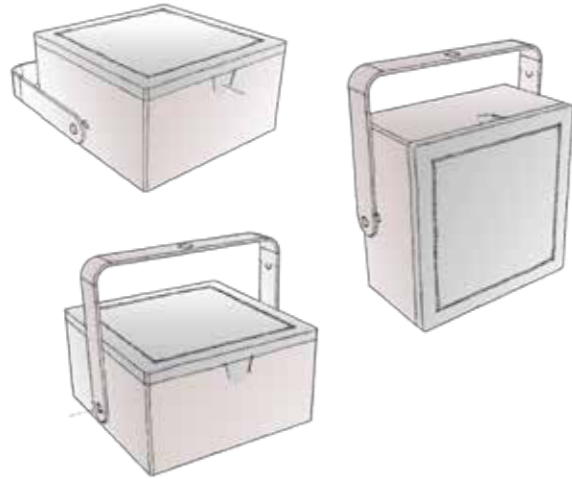
KYBSUN (KYB 010)

- 500 LUMENS
- 10 LED
- 3000° K. / warm white
- power : 3W
- adjustable intensity
- IP 55 waterproof
- recharge : solar or sector
- autonomy : from 5 H. to 200 H.



to carry, to suspend, to mount

LYXY



- use :
 - * lantern
 - * wall lamp, highlight a wall (South oriented)
 - * suspension, highlight tables, trees, ...
- presence detector
- steel structure 15/10° / polycarbonate diffuser
- epoxy paint finishing
- dimensions : 125 x 125 x 125 mm



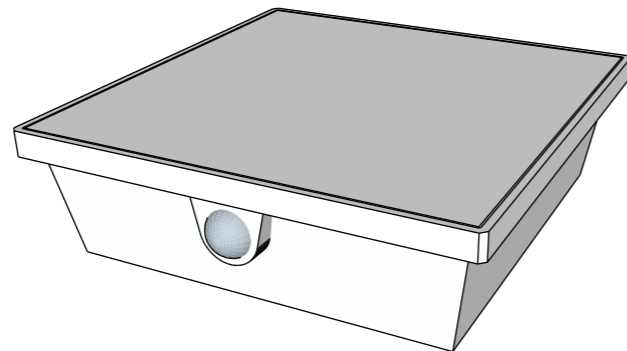
grey charcoal
(RAL 7021)

Corten rust

SOLAR BLOCK

KYBSUN (KYB 010)

- 500 LUMENS
- 10 LED
- 3000° K. / warm white
- power : 3W
- adjustable intensity
- IP 55 waterproof
- recharge : solar or sector
- autonomy : from 5 H. to 200 H.



shadow and light

RING



· use :
lighting an entrance, a terrace, a balcony, ...

- sundial by day
- presence detector
- epoxy paint finishing
- dimensions : 500 x 250 x 125 mm

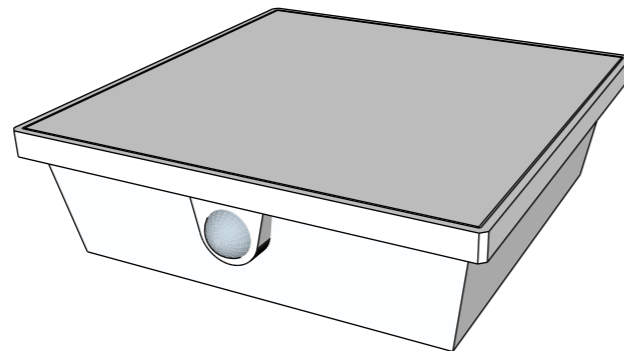


grey charcoal
(RAL 7021)

Corten rust

SOLAR BLOCK KYBSUN (KYB 010)

- 500 LUMENS
- 10 LED
- 3000° K. / warm white
- power : 3W
- adjustable intensity
- IP 55 waterproof
- recharge : solar or sector
- autonomy : from 5 H. to 200 H.



... In an effort to reduce our impact on the environment

The shipment of our lamps requires an important level of protection.

We manufacture dust covers in French linen that are fully redeemable and reusable.

Once returned, dust covers are reused to ship our products.

Our objective is to progressively eliminate the use of plastic in our activity.

LYX
LUMINAIRES

Housse de protection
CONSIGNÉE



Dust cover
REFUND VALUE



More information
on the refund value of our dust covers :
www.LYX-luminares.com/NOTICES

Reused packaging

We also reuse wooden pallets and cartons
from our partners
to pack and ship our products.

LYX
L U M I N A I R E S

Emballage carton & palette en bois

RÉUTILISÉS



R E U S E D

Cardboard packaging & wooden pallet





www.LYX-luminaires.com